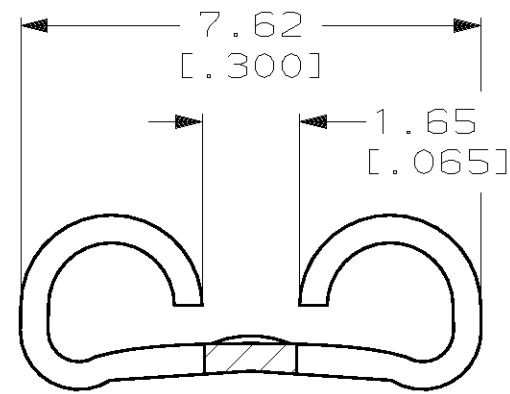
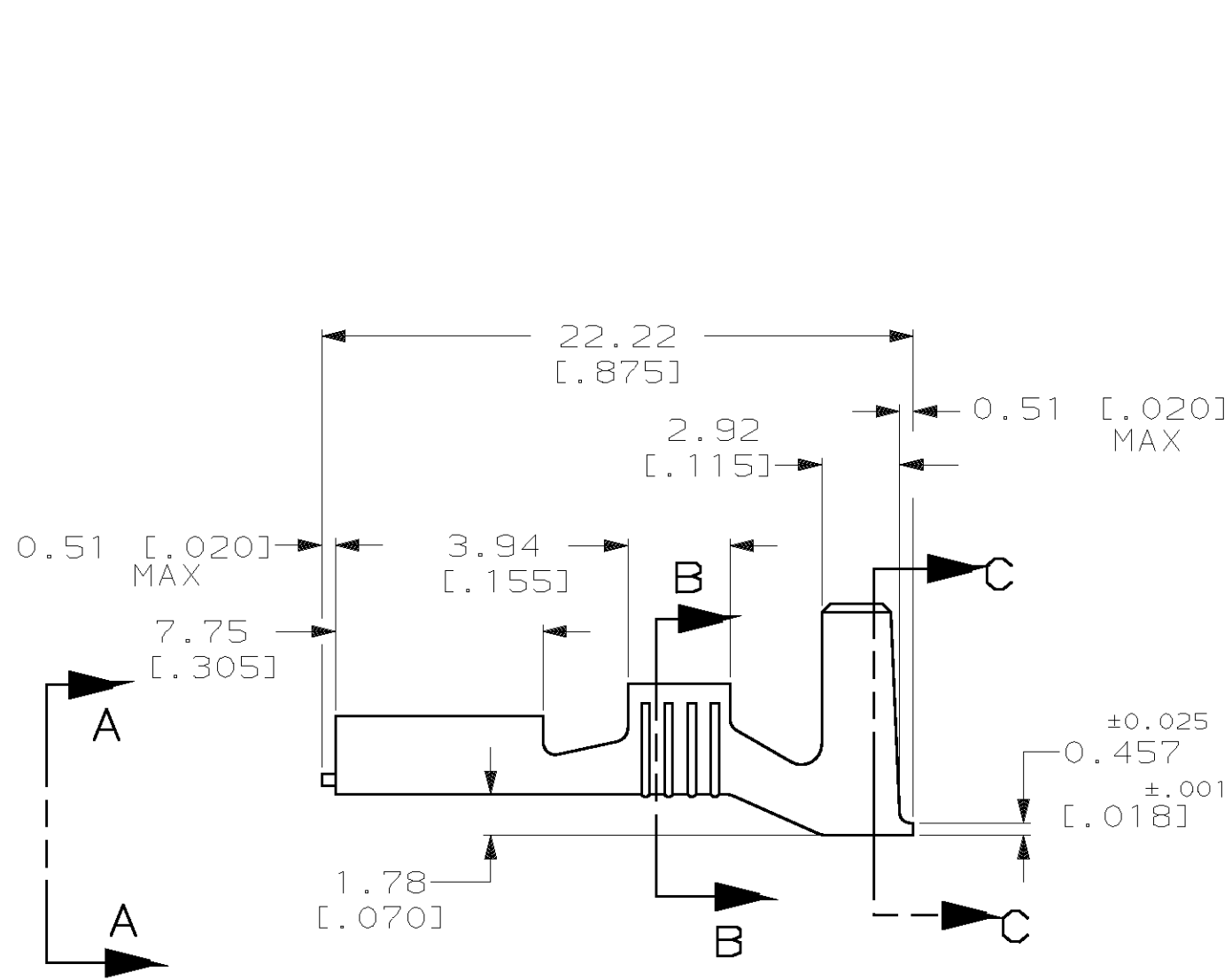
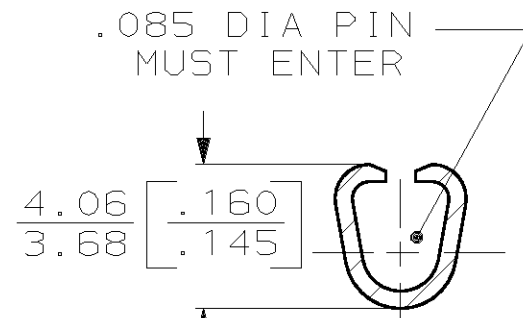


THIS DRAWING IS UNPUBLISHED. RELEASED FOR PUBLICATION, 19
 © COPYRIGHT 19 BY AMP INCORPORATED. ALL INTERNATIONAL RIGHTS RESERVED.

LOC	DIST	P	F	ZONE	LTR	DESCRIPTION	DATE	APPD
AF	50				L	REDRAWN FROM 42020 REV K PER 0L10-0263-97	6/25/97	JR/PD

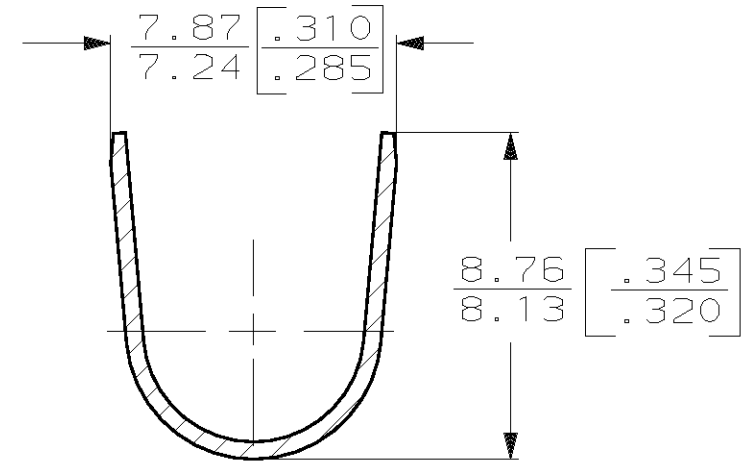


VIEW A-A
SCALE 8:1



SECTION B-B
SCALE 5:1

- 1 SUPPLIED IN LOOSE PIECE
- 2 WIRE BARREL IS PRE-CRIMPED



SECTION C-C
SCALE 5:1

5.33-6.73 or (2) 3.05 [.210-.265] or (2) [.120]	1.3-3.0mm ² or (2) 0.8mm ² [16-12] or (2) [#18's]	0.813 [.032]	42021
INSULATION RANGE	WIRE SIZE	MATING TAB THK ±0.025 [.001]	PART NO

F	7.62 [.300]	6.4 [.252]	F	3.05 [.120]	2.413 [.095]	3.0mm ² [12]
					2.083 [.082]	2.0mm ² [14]
					1.880 [.074]	1.3mm ² [16]
TYPE	WIDTH	STRIP LENGTH ±0.38 ±[.015]	TYPE	WIDTH	±.051 [±.002] HEIGHT	WIRE
INSUL BARREL CRIMP			WIRE BARREL CRIMP			

DO NOT SCALE PRINT. UNLESS SPECIFIED DIMENSIONS IN mm [INCHES] TOLERANCES ON: 2 PLC DEC ± - 3 PLC DEC ± 0.38 [.015] ANGLES ± -	DR 6/25/97 JR RUTH CHK 6/25/97 MS FEHER APPD 6/25/97 P DESANTIS APPD 6/25/97 D BRATINA PRODUCT SPEC - APPLICATION SPEC 114-2036 WEIGHT -
MATERIAL #4 BRASS TEMPER H04 FINISH TIN	

AMP INCORPORATED Harrisburg, Pa. 17105		
NAME RECEPTACLE, FASTON,™ .250 SERIES		
SIZE B	CAGE CODE 00779	DRAWING NO 42021
SCALE 4:1	SHEET 1 OF 1	